

SOCIEDADE DE TIRO DE BRAGA

III OPEN DE CABANELAS 2018

**Level II Match - 6 Stages
Cabanelas Shooting Range
Vila Verde - Braga**

**41° 35' 45" N
8° 30' 21" W**

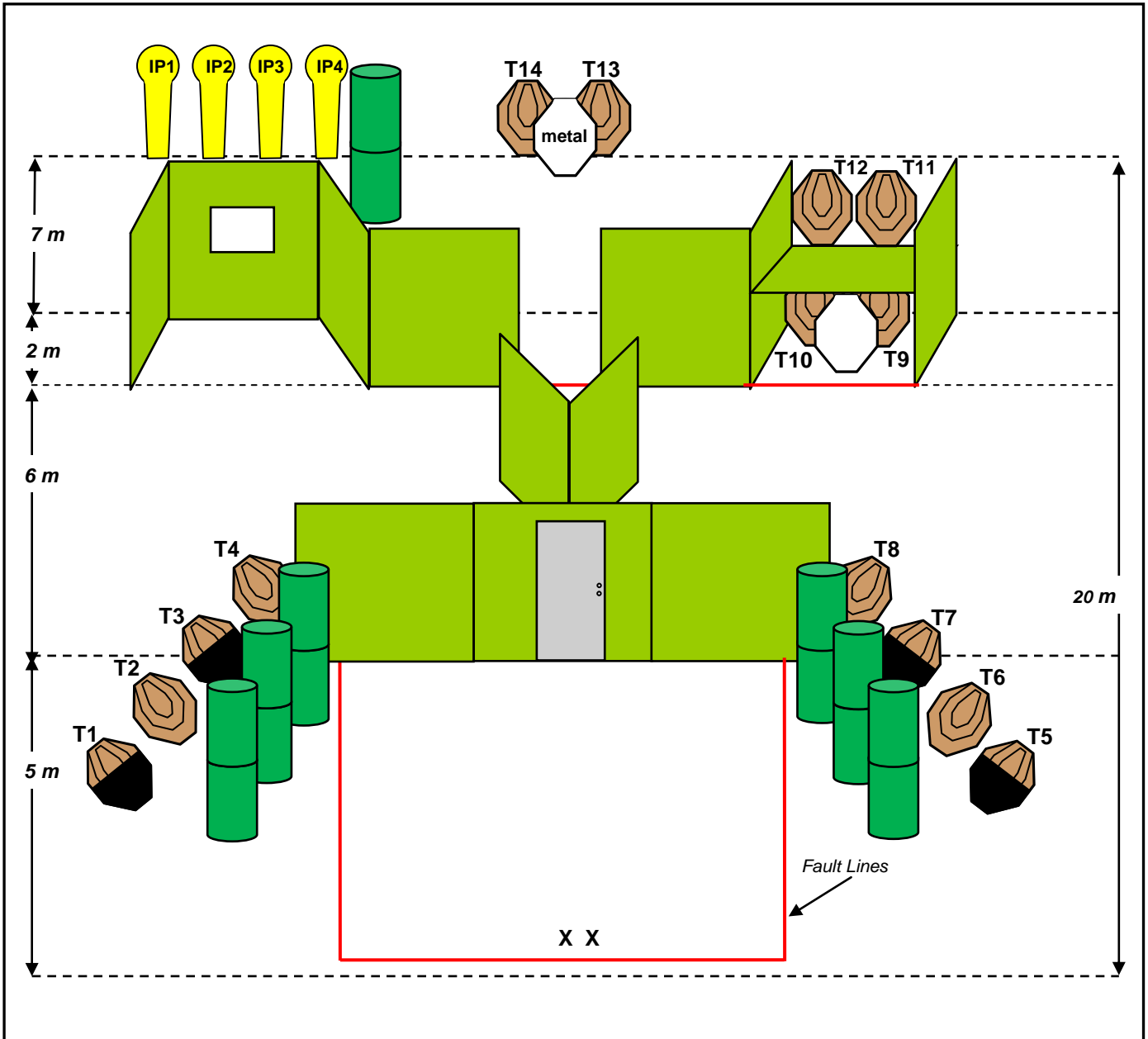


STAGES DRAWS
(DESENHOS DE PISTAS)

+351 963 952 126 - stb.geral@gmail.com



Stage 01 – (Long Course)
STAGE PROCEDURE: Upon start signal, engage targets from within designated area.
START POSITION: Standing with heels touching XX marks, facing up range, hands naturally at sides.
MINIMUM ROUNDS: 32
START - STOP Signal – Last shoot
TARGETS: 4 Popper and 14 IPSC targets.



Setup Notes:

RO Notes:
 (a) Rule 8.2.2
 Arbitration Fees 30,00 €

COURSE DESIGNER: IROA / RO José Gonçalves

Stage 02 – (Medium Course)

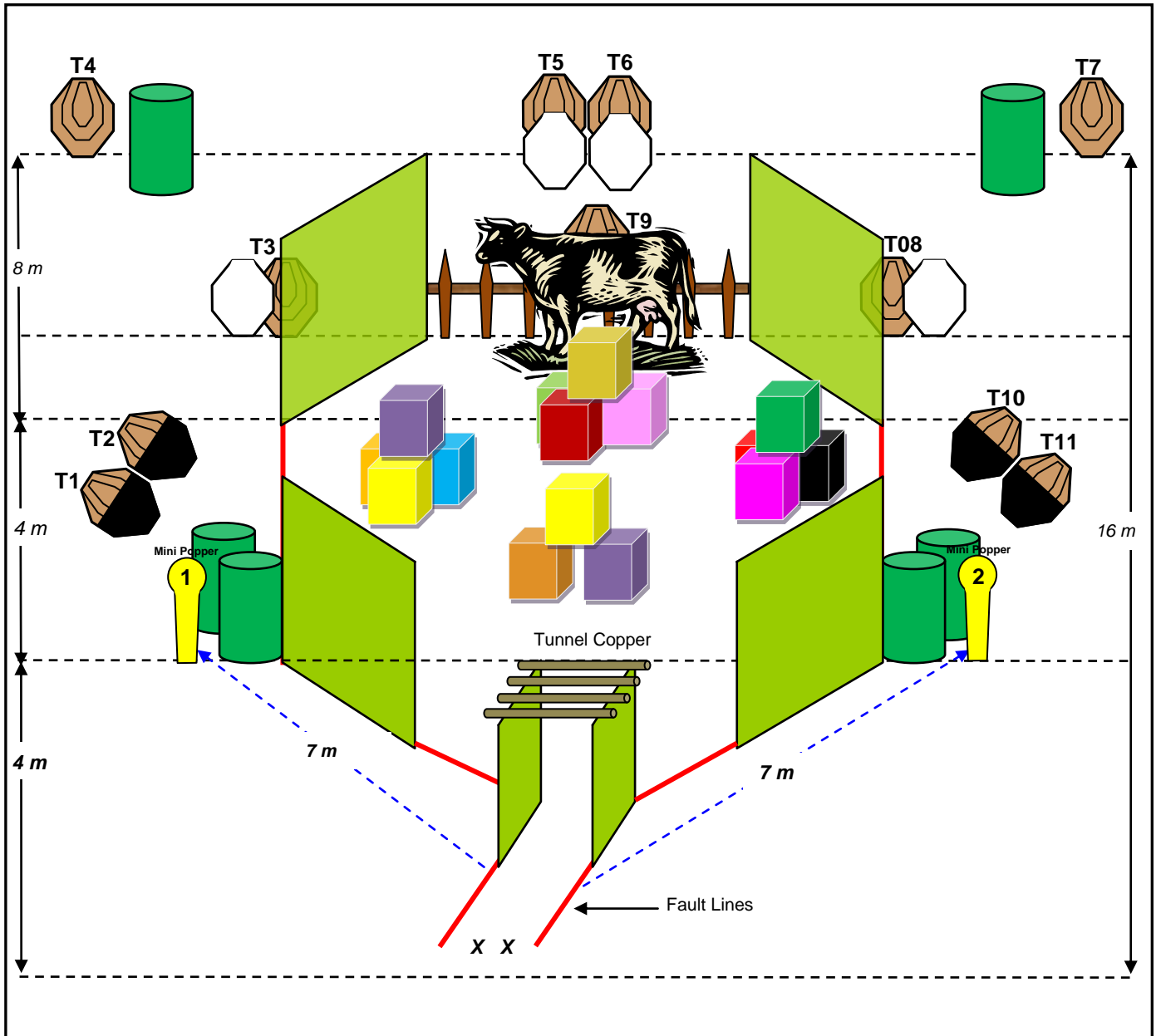
STAGE PROCEDURE: Upon start signal, engage targets from within designated area.

START POSITION: Standing with heels touching XX marks, facing up range, hands naturally at sides.

MINIMUM ROUNDS: 24

START - STOP Signal – Last shoot

TARGETS: 11 IPSC targets and 2 Mini Poppers.



Setup Notes:

RO Notes:

(b) Rule 8.2.2
Arbitration Fees 30,00 €



**IBERSUCATAS
BRAGA, S.A.**



QUINTA DE PAÇOS
500 years of winemaking

COURSE DESIGNER: IROA / RO José Gonçalves

Stage 03 – (Short Course)

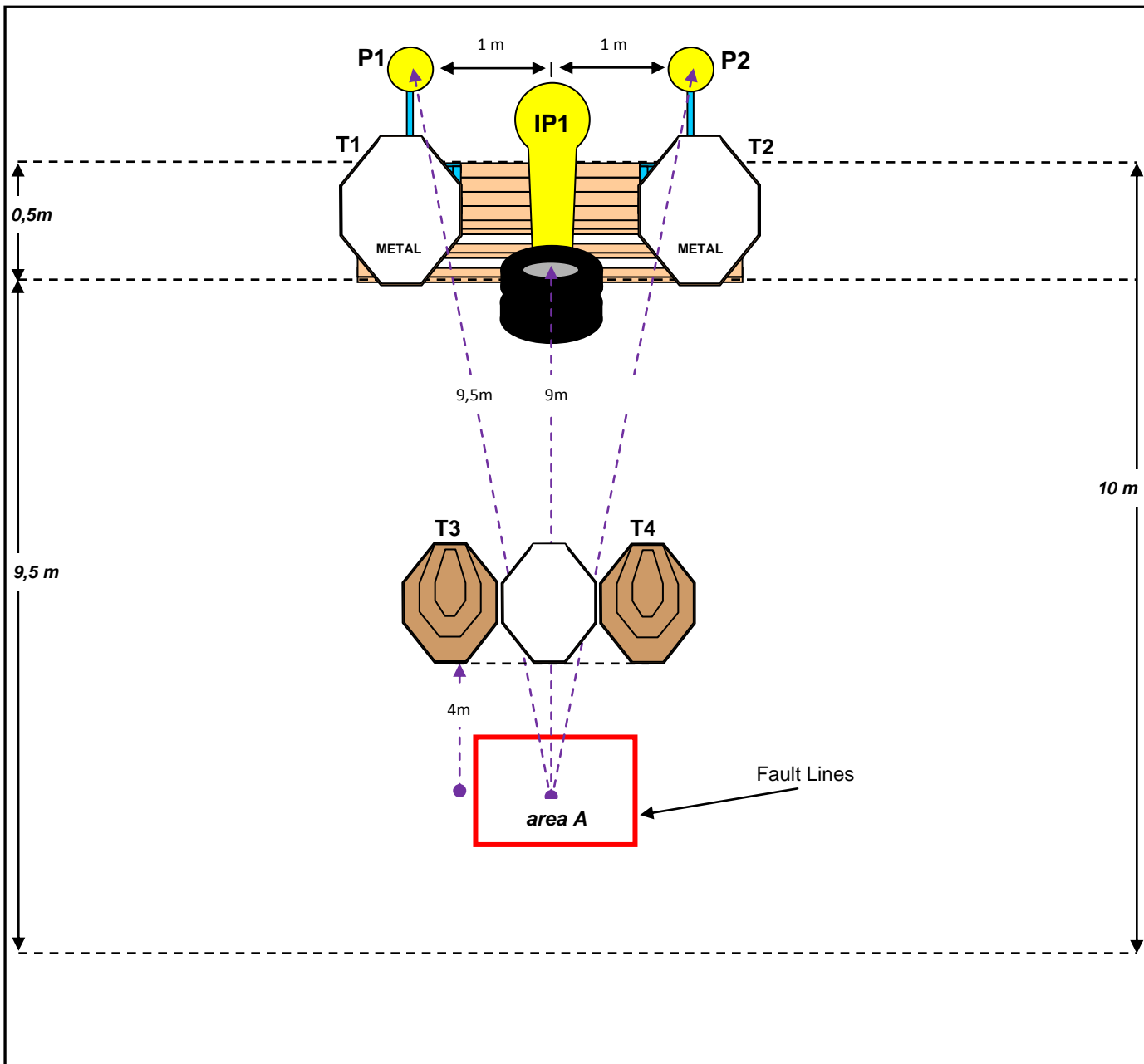
STAGE PROCEDURE: Upon start signal, proceed.

START POSITION: Standing (a)

FIREARM READY CONDITION: Loaded and holstered.

MINIMUM ROUNDS: 11

TARGETS: 1 Popper, 4 IPSC targets and 2 plates.



Setup Notes:

RO Notes:

(a) Rule 8.2.2

Arbitration Fees 30,00 €



ESPINGARDARIA
J. & P. Gonçalves Lda.
ARMAS & MUNIÇÕES

COURSE DESIGNER: IROA / RO José Gonçalves

Stage 04 – (Medium Course)

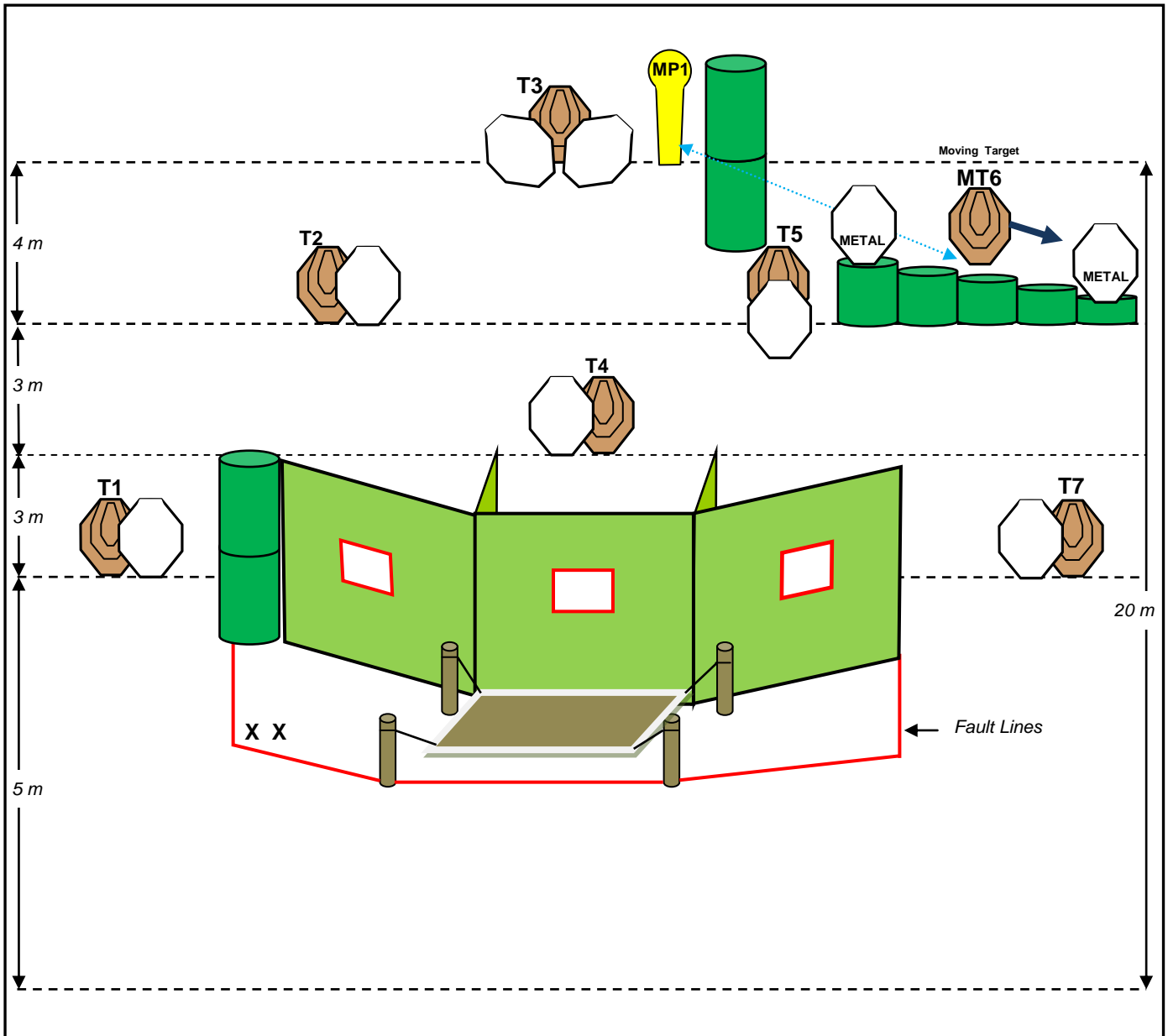
STAGE PROCEDURE: Upon start signal, engage targets from within designated area.

START POSITION: Standing with heels touching XX marks, facing up range, hands naturally at sides.

MINIMUM ROUNDS: 15

START - STOP Signal – Last shoot

TARGETS: 7 IPSC targets and 1 Popper.



Setup Notes:

RO Notes:

(b) Rule 8.2.2
Arbitration Fees 30,00 €



**IBERSUCATAS
BRAGA, S.A.**



QUINTA DE PAÇOS
500 years of winemaking

COURSE DESIGNER: IROA / RO José Gonçalves

Stage 05 – (Short Course)

STAGE PROCEDURE: Upon start signal, engage targets from within designated area.

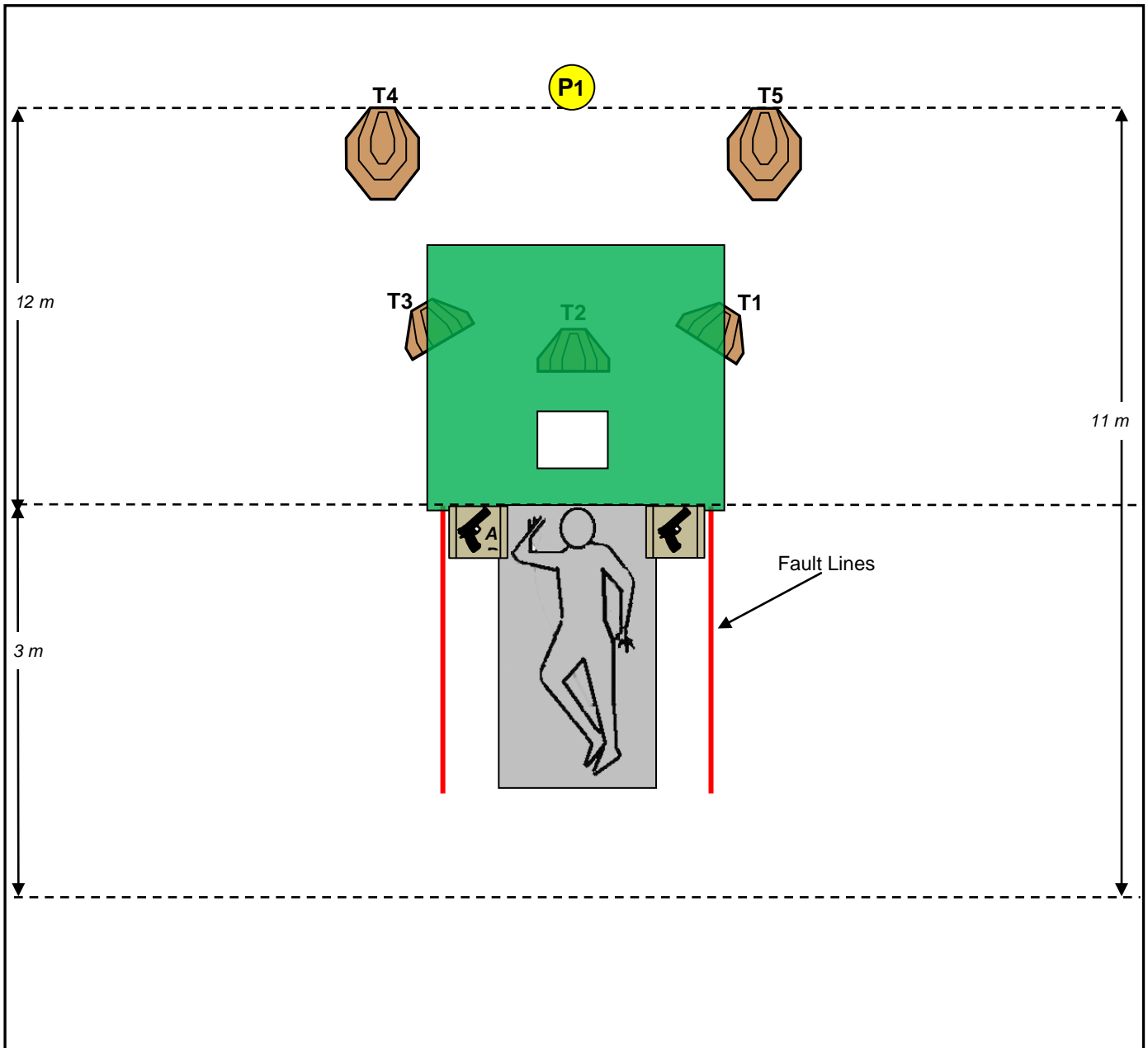
START POSITION: Prone position and face down.

FIREARM READY CONDITION: Unloaded on table A or B.

MINIMUM ROUNDS: 11

START - STOP Signal – Last shoot

TARGETS: 5 IPSC targets and 1 plate.



Setup Notes:

RO Notes:

(a) Rule 8.2.2

Arbitration Fees 30,00 €



ESPINGARDARIA
J. & P. Gonçalves Lda.
ARMAS & MUNIÇÕES

COURSE DESIGNER: IROA / RO José Gonçalves

Stage 06 – (Short Course)

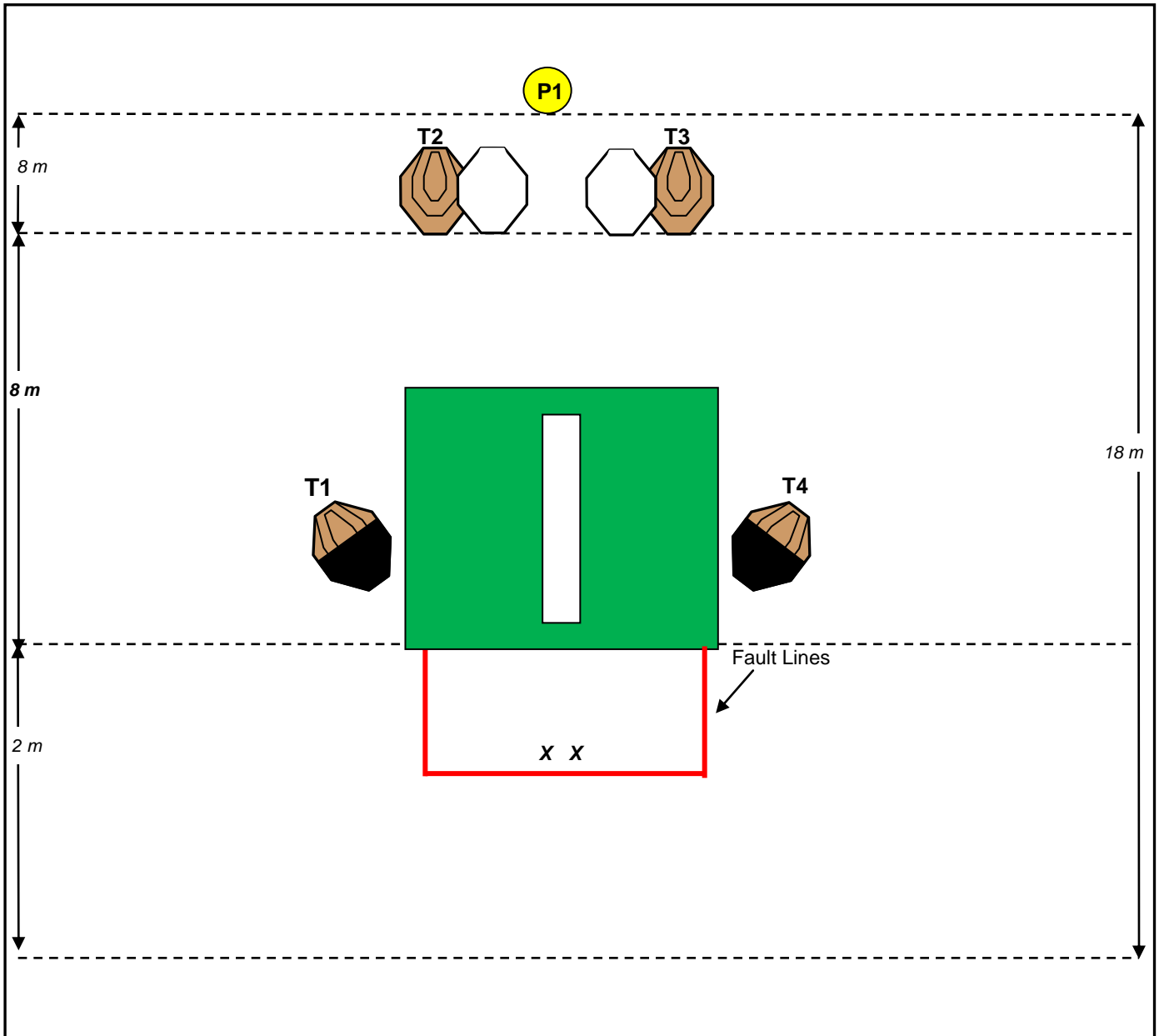
STAGE PROCEDURE: Upon start signal, engage targets from within designated area.

START POSITION: Standing with heels touching XX marks, facing up range, hands naturally at sides.

MINIMUM ROUNDS: 9 rounds

START - STOP Signal – Last shoot

TARGETS: 4 IPSC targets and 1 Plate.



Setup Notes:

RO Notes:

(b) Rule 8.2.2
Arbitration Fees 30,00 €

